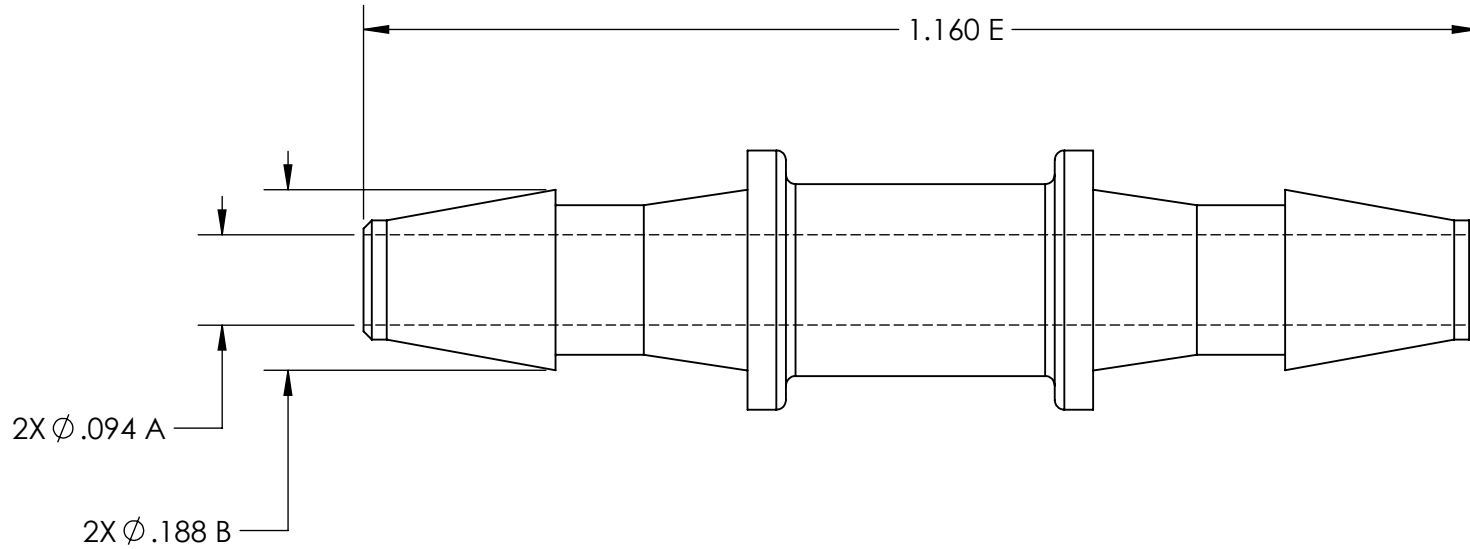


REV	ECO#	DATE	REVISION RECORD	DWG.BY	APPR.BY
01	619	10/20/14	PRODUCTION RELEASE	EW	MC



- NOTES
 1. ALL DIMENSIONS TYPICAL
 2. VIEW SHOWN IS LOGO SIDE UP
 3. NO MOLD PARTING LINE ALLOWED ON CONICAL BARB SURFACES
 4. DOT ON BARB NECK IS A CAVITY - OR CAVITY IS NUMBERED
 5. RAISED FEATURE ON BARB NECK (IF SHOWN) = ANTI-ROTATION DEVICE

This drawing is issued in confidence. It may not be disclosed or reproduced without written permission from the Eldon James Corp

Shown: 4 most recent title block revisions

REV	ECO#	DATE	TITLE BLOCK REVISION RECORD
K	070860	7/27/2009	Add Crystal Vu (CVU) material A,B ± .021 & C,D,E,F ± .035
L	425	10/24/11	ADDED DOW ENGAGE AND (WN)
M	426	10/25/11	Changed Black Nylon Tolerance for C,D,E,F from +.000 to +.020
N	432	12/5/2011	Removed " DATE PART CREATED"

Material / Tolerance:	A & B	C, D, E, F
Dow Engage 8402:	± .018	± .023
Acetal (AC):	± .020	± .050
Crystal Vu (CVU):	± .021	± .035
Nylon 6/6 (NN)(MN)(WN):	± .016	± .020
Black Nylon 6/6 (BN):	± .016	± .020
Glass-Filled Nylon (GFBN):	± .020	+ .060/- .000
Polypropylene (PP)(NP)(WP):	± .018	± .023
HD Polyethylene (HDPE):	± .015	± .045
Kynar-Flex (NKF):	± .026	+ .026/- .060
Nat./Gray Kynar (NK)(PVDF):	± .020	+ .000/- .070
Polycarbonate (PC):	± .016	± .031
A.B.S. (ABS):	± .016	± .031



Eldon James Corp.
 www.eldonjames.com

DESCRIPTION
1/8" EQUAL BARBED CONNECTOR

DRAWN BY EW	APPROVED BY CC	APPROVAL DATE 6/9/14	DRAWING NAME QC DRAWING
SCALE NTS	SIZE A	SHEET 1 OF 1	TITLE BLOCK REV. N
All printed copies of drawing are for reference only			PART NO. C0-2-200
			REV. 01